



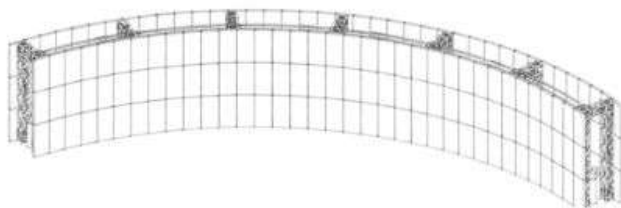
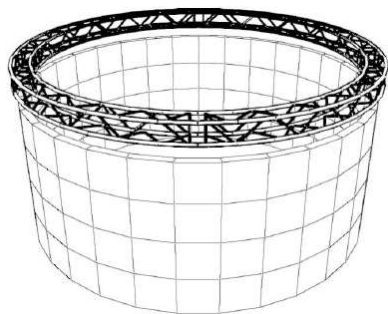
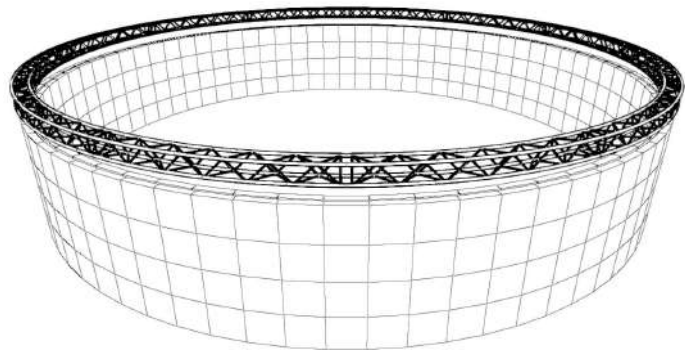
LED Displays Cylinders & Qubes for trade fairs

Turnkey solutions in various shapes & sizes
Available as a dry-hire or full-service.

Whether your design is already established,
or you're just starting our technical team can
help come up with a display system that fits
your need.

We work with a variety of trade show booth
design and build companies that can help
incorporate a digital experience into your
booth.



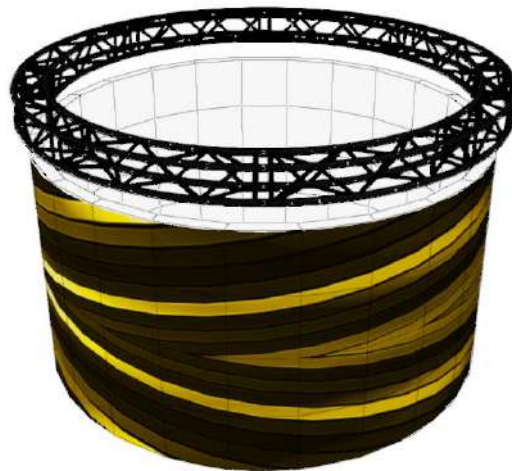
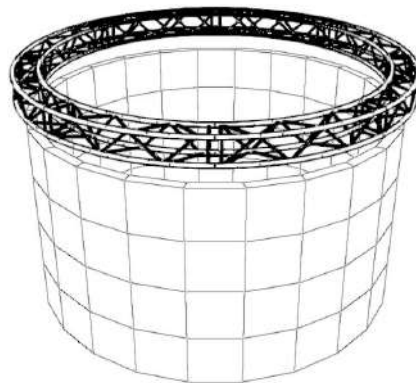
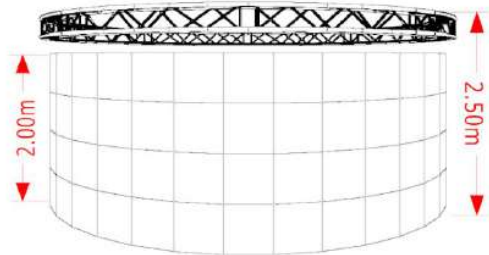
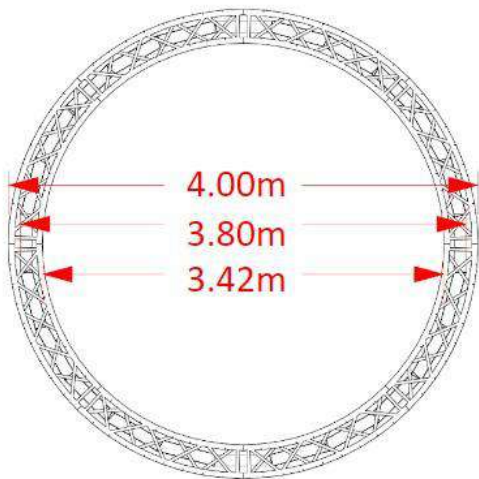


Complete packages ready to hang over the booth or stand alone on the floor.

All packages can include:

- led tiles + spare
- truss
- chain hoists or mounts
- hanging accessories
- cables
- controller
- detail manual or labor to install

LED CYLINDER 4M



LED CYLINDER diameter 4M

Pixel pitch:
3,9mm / 5,9mm

Quantity of modules
(50x50 cm):
96 pcs

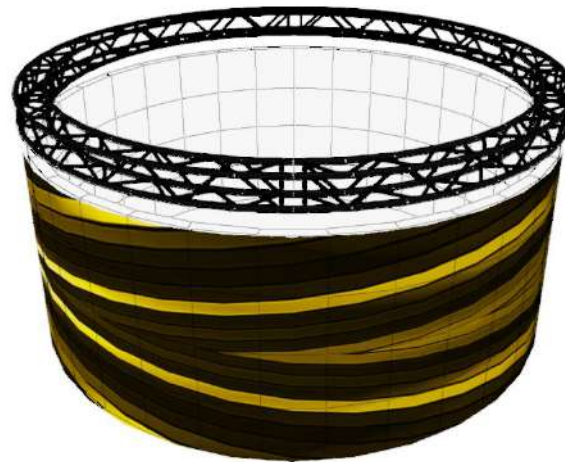
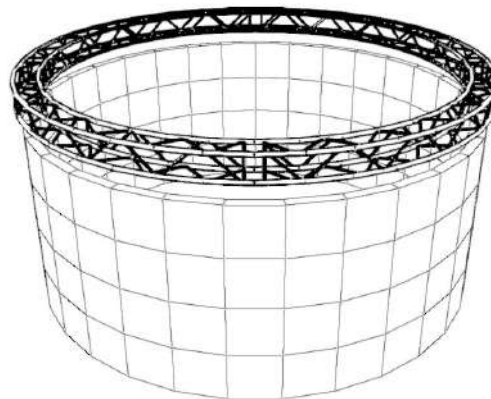
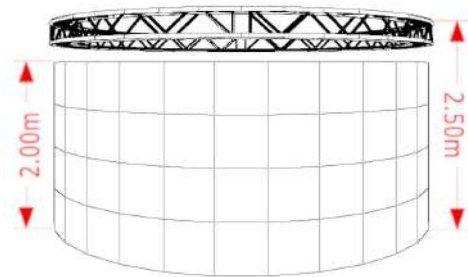
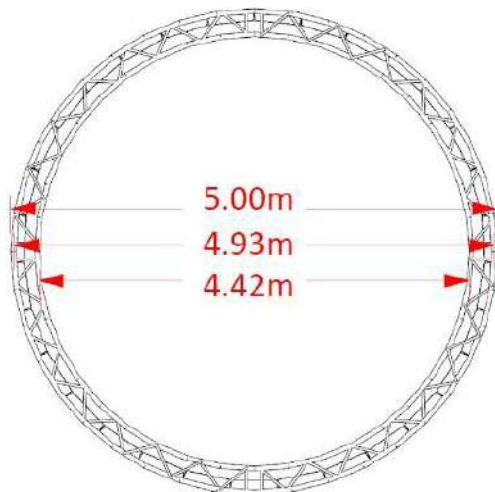
Total weight:
780 kg

Bending angle between
modules:
15°

Resolution:
3,9mm: 3072 x 512
5,9mm: 2016 x 336

Power consumption:
Min. power demands:
3,9mm: 6kW
5,9mm: 8kW

LED CYLINDER 5M



LED CYLINDER diameter 5M

Pixel pitch:
3,9mm / 5,9mm

Quantity of modules
(50x50 cm):
128 pcs

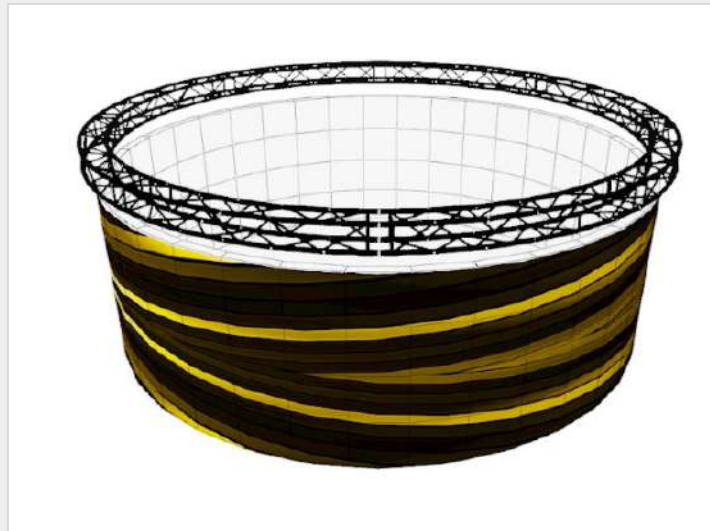
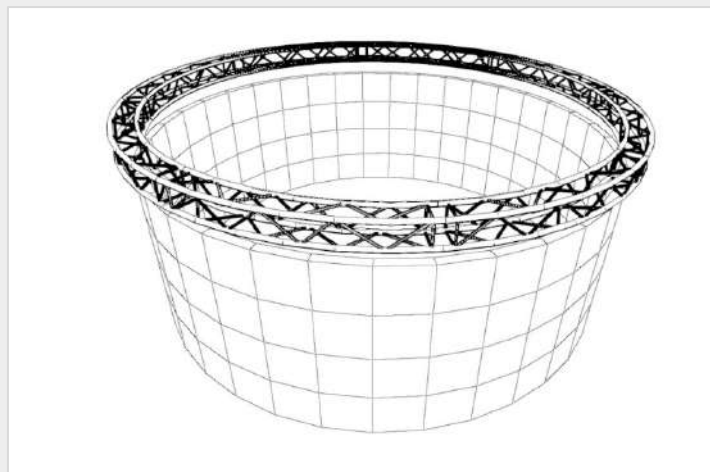
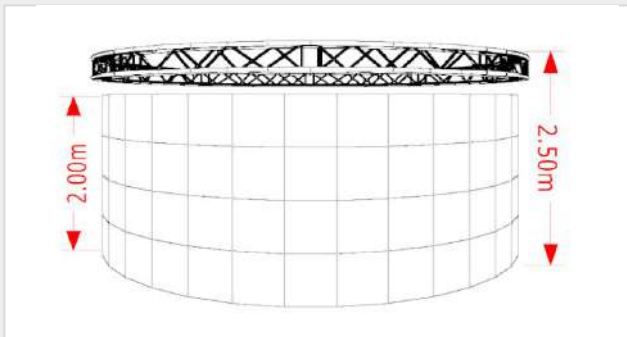
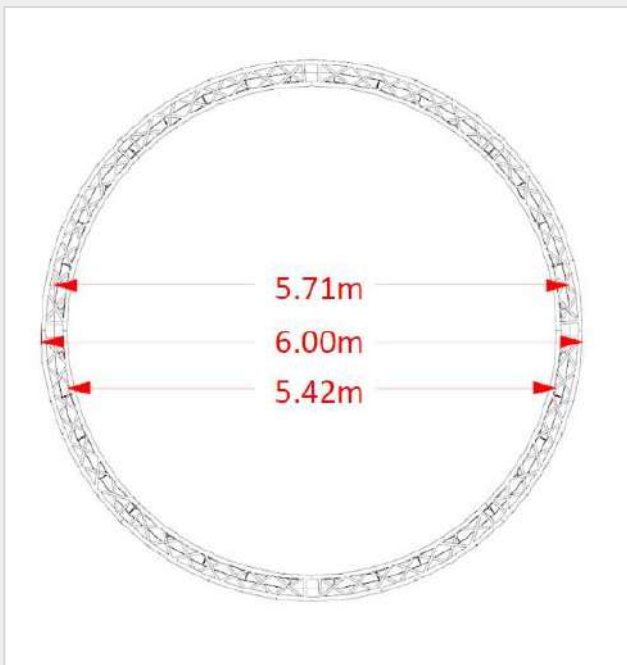
Total weight:
1030 kg

Bending angle between
modules:
11,25°

Resolution:
3,9mm: 4096 x 512
5,9mm: 2688 x 336

Power consumption:
Min. power demands:
3,9mm: 8kW
5,9mm: 11kW

LED CYLINDER 6M



LED CYLINDER diameter 6M

Pixel pitch:
3,9mm / 5,9mm

Quantity of modules
(50x50 cm):
144 pcs

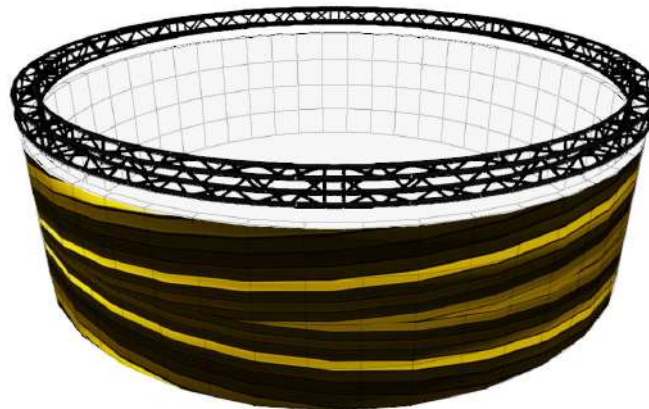
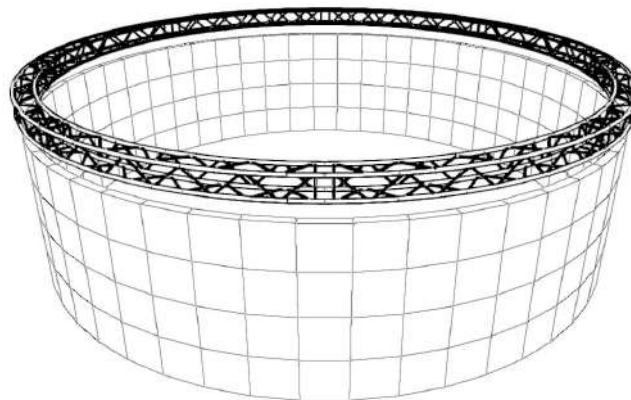
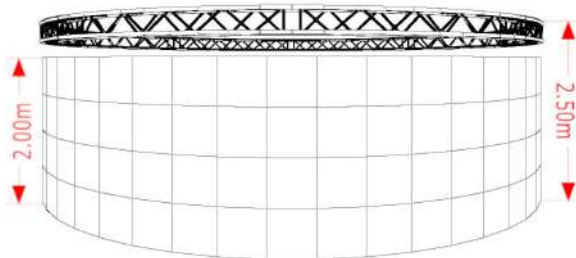
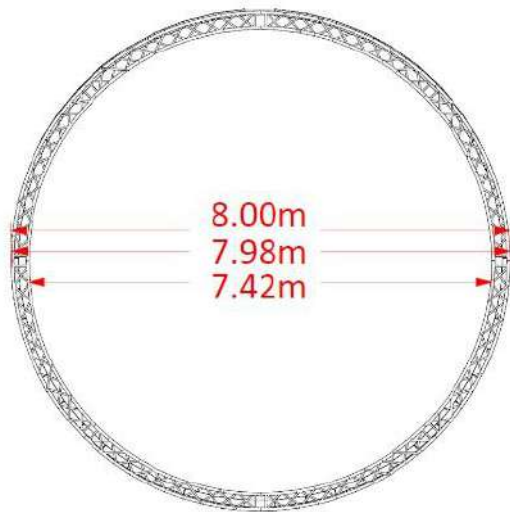
Total weight:
1160 kg

Bending angle between
modules:
10°

Resolution:
3,9mm: 4608 x 512
5,9mm: 3024 x 336

Power consumption:
Min. power demands:
3,9mm: 9kW
5,9mm: 12kW

LED CYLINDER 8M



LED CYLINDER diameter 8M

Pixel pitch:
3,9mm / 5,9mm

Quantity of modules
(50x50 cm):
200 pcs

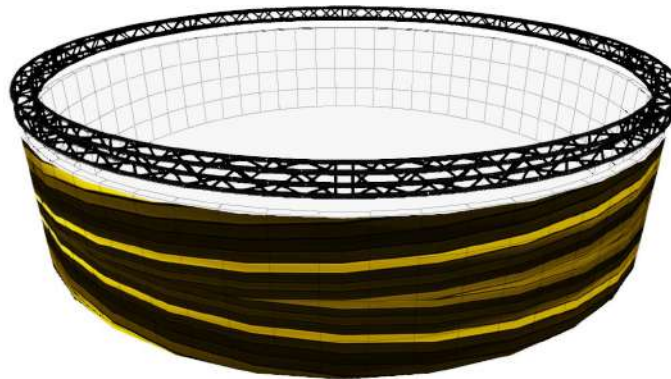
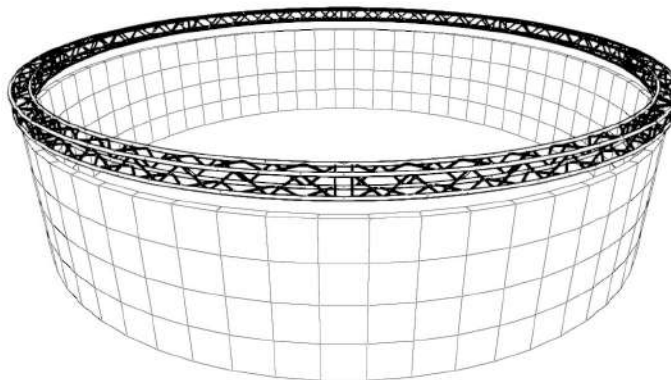
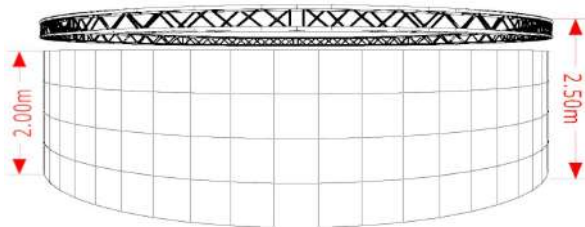
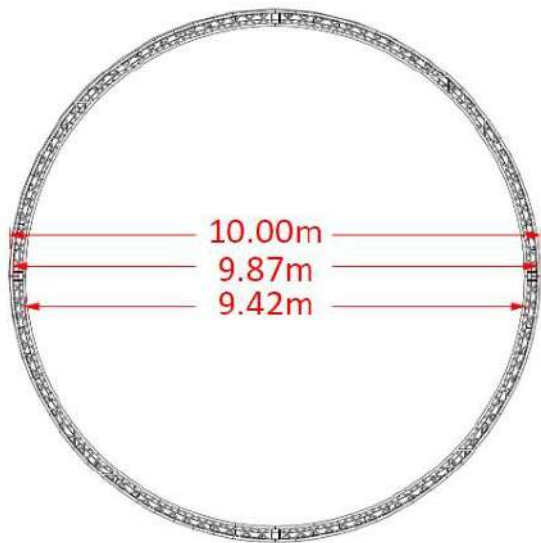
Total weight:
1610 kg

Bending angle between
modules:
7,2°

Resolution:
3,9mm: 6400 x 512
5,9mm: 4200 x 336

Power consumption:
Min. power demands:
3,9mm: 12kW
5,9mm: 16kW

LED CYLINDER 10M



LED CYLINDER diameter 10M

Pixel pitch:
3,9mm / 5,9mm

Quantity of modules
(50x50 cm):
248 pcs

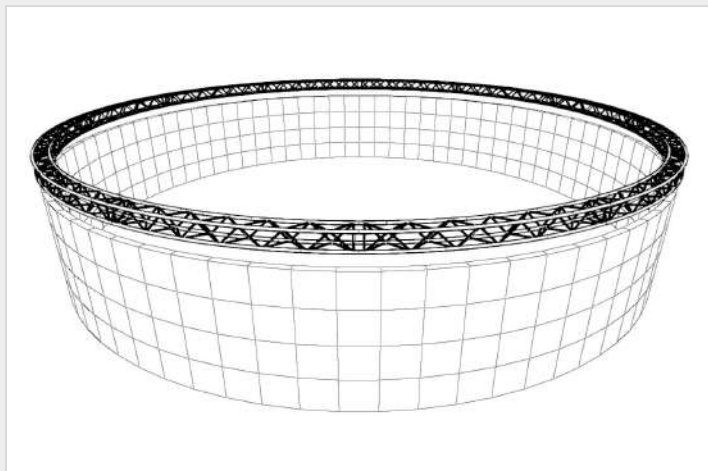
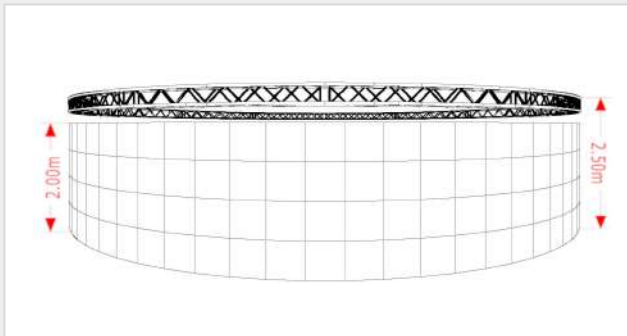
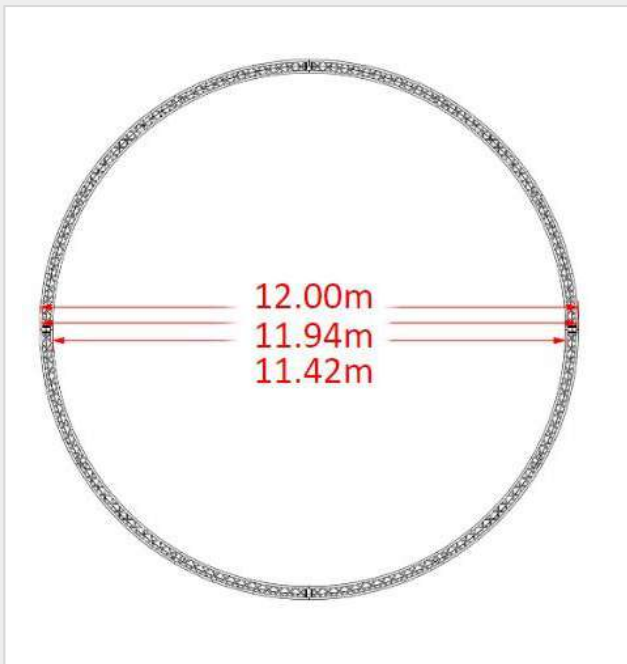
Total weight:
2000 kg

Bending angle between
modules:
5,81°

Resolution:
3,9mm: 7936 x 512
5,9mm: 5208 x 336

Power consumption:
Min. power demands:
3,9mm: 15kW
5,9mm: 20kW

LED CYLINDER 12M



LED CYLINDER diameter 12M

Pixel pitch:
3,9mm / 5,9mm

Quantity of modules
(50x50 cm):
300 pcs

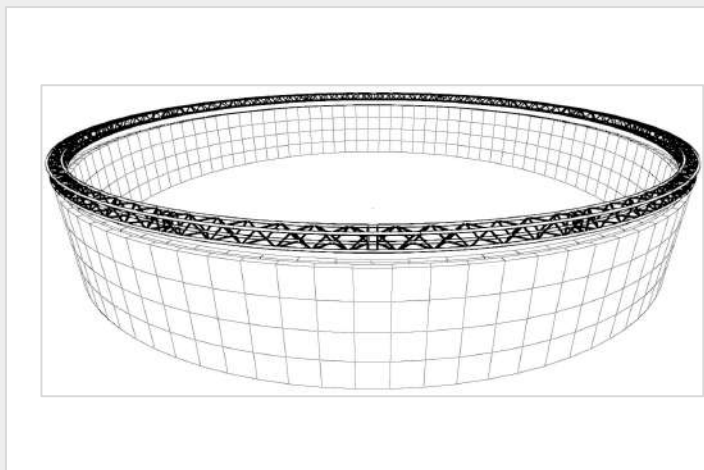
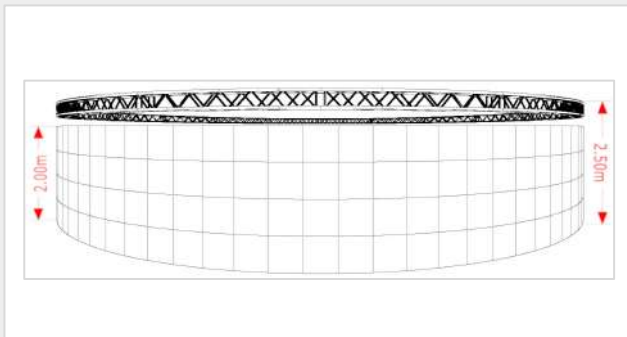
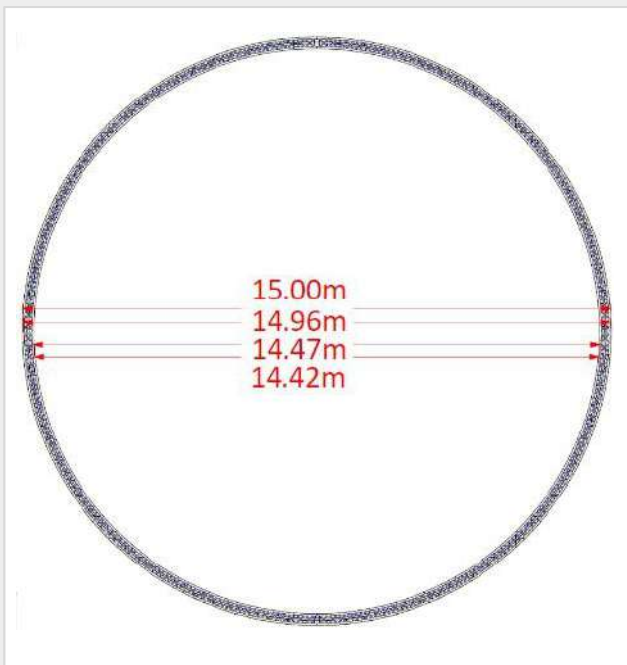
Total weight:
2410 kg

Bending angle between
modules:
4,8°

Resolution:
3,9mm: 9600 x 512
5,9mm: 6300 x 336

Power consumption:
Min. power demands:
3,9mm: 18kW
5,9mm: 24kW

LED CYLINDER dbl-side 15M



LED CYLINDER dbl-side 15M

Pixel pitch:
3,9mm / 5,9mm

Quantity of modules:
circle in: 364 pcs
circle out: 380 pcs

Total weight:
5680 kg

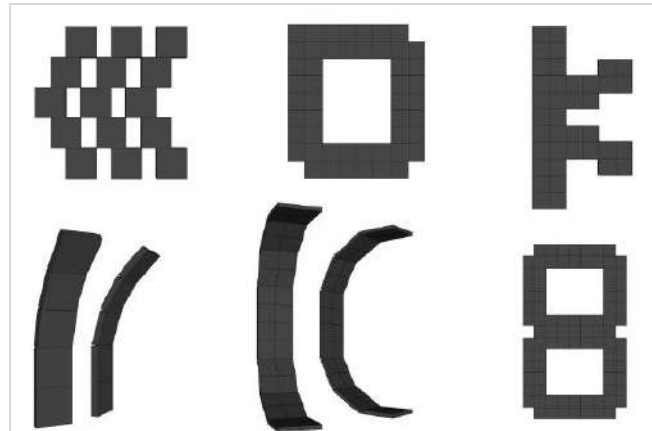
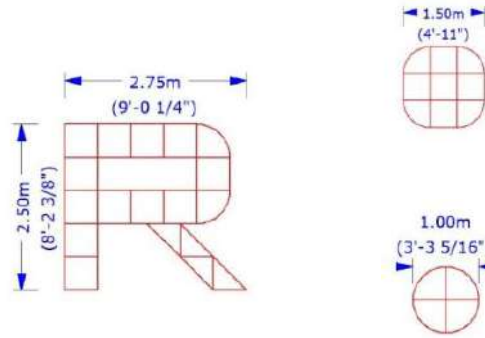
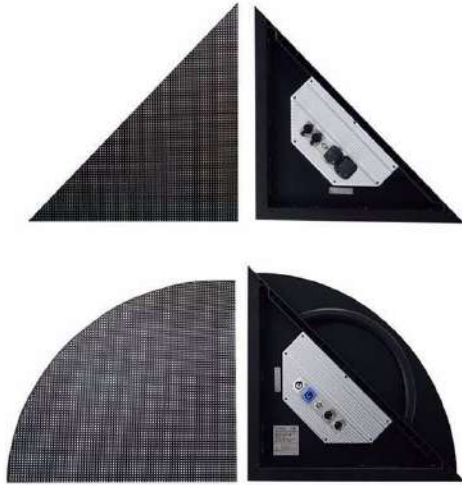
Bending angle between
modules:
circle in: 3,96°, circle out:
3,79°

Resolution 3,9mm:
circle in: 11648 x 512
circle out: 12032 x 512

Resolution 5,9mm:
circle in: 7644 x 336
circle out: 7896 x 336

Power consumption:
Min. power demands:
3,9mm: 45kW
5,9mm: 60kW

LED SHAPES 3,9mm



LED SHAPES based on 50x50cm shape tiles

Pixel pitch:
3,9mm

Quantity of available shape
modules:

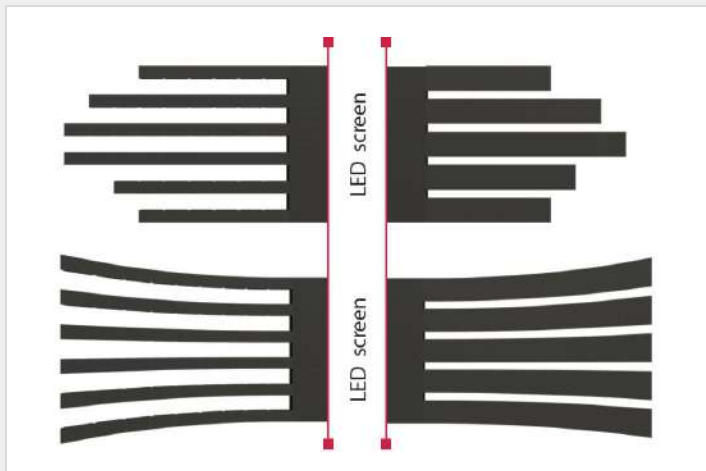
triangle: 104 pcs
arch: 20 pcs
corner: 96 pcs

Module weight:
triangle: 4,7 kg
arch: 5,6 kg
corner: 9,1 kg

Bending angle between
modules:
15° inner / 15° outer

Power consumption:
Per module: 60W
Per sqm: 4890W

LED ELEMENT 32x16cm tiles



LED ELEMENT 32x16cm tiles

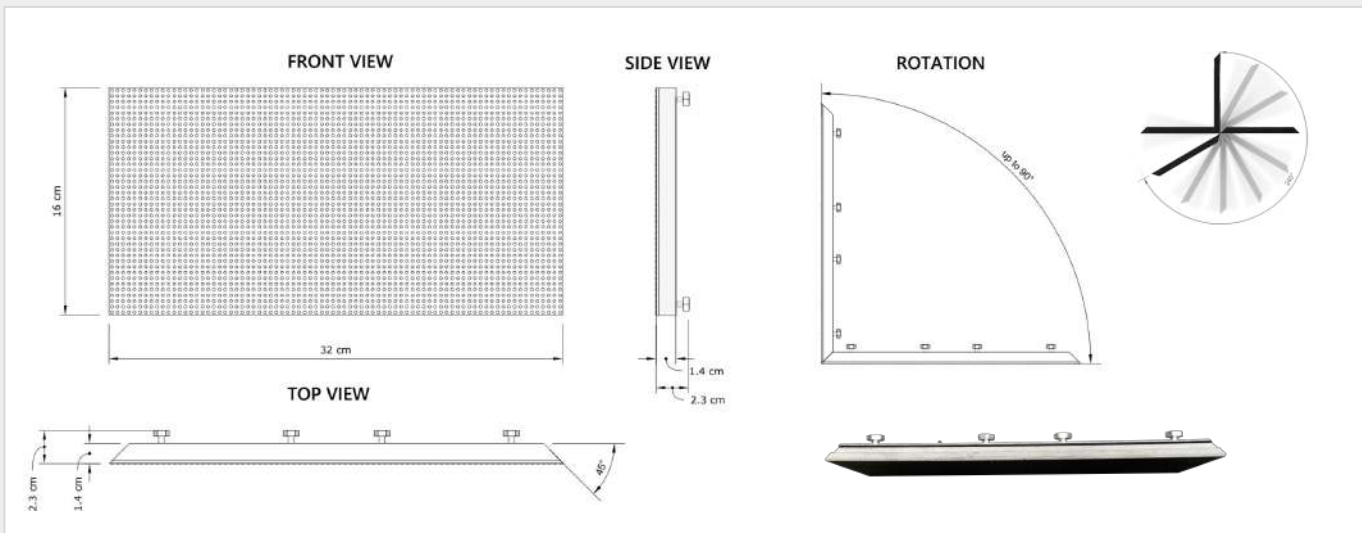
Pixel pitch:
3,9mm

Size:
32 x 16 x 2,3cm thick with
magnets

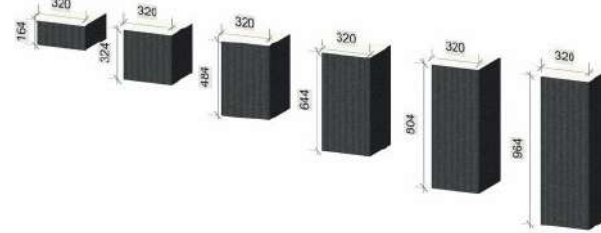
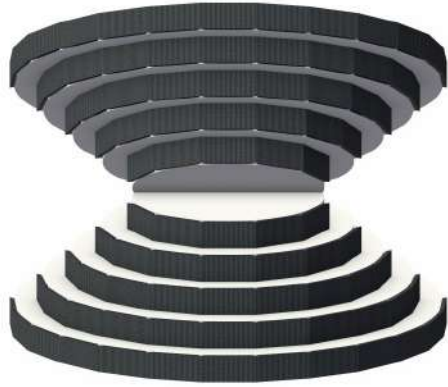
Bending angle between
modules:
up to 90°

Tile Resolution:
80 x 40

Power consumption:
per module: 25W



LED ELEMENT 32x16cm tiles



LED ELEMENT 32x16cm tiles

Pixel pitch:
3,9mm

Size:
32 x 16 x 2,3cm thick with
magnets

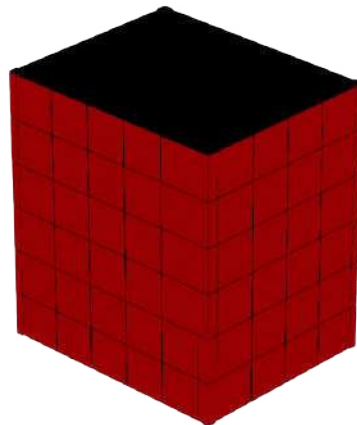
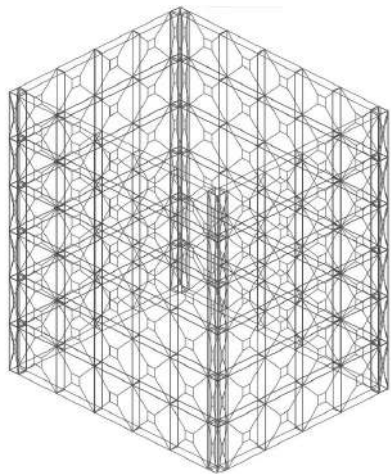
Bending angle between
modules:
up to 90°

Tile Resolution:
80 x 40

Power consumption:
per module: 25W



LED CUBE 2,26 x 2,76 x 3M



LED CUBE 2,26 x 2,76 x 3M

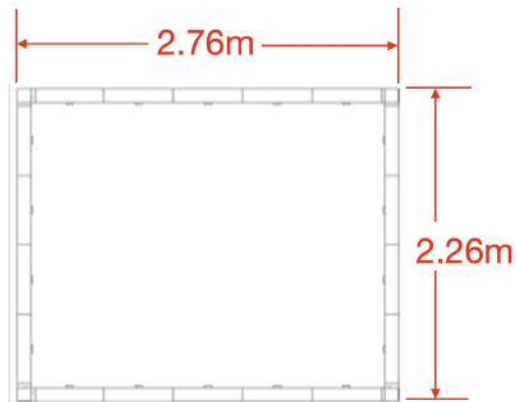
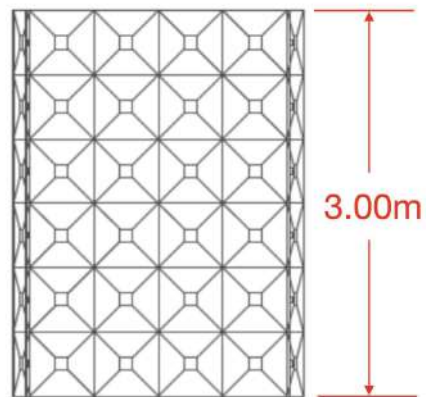
Pixel pitch:
3,9mm

Quantity of modules:
108 pcs of modules 50x50cm
24 pcs of corners (L+R)

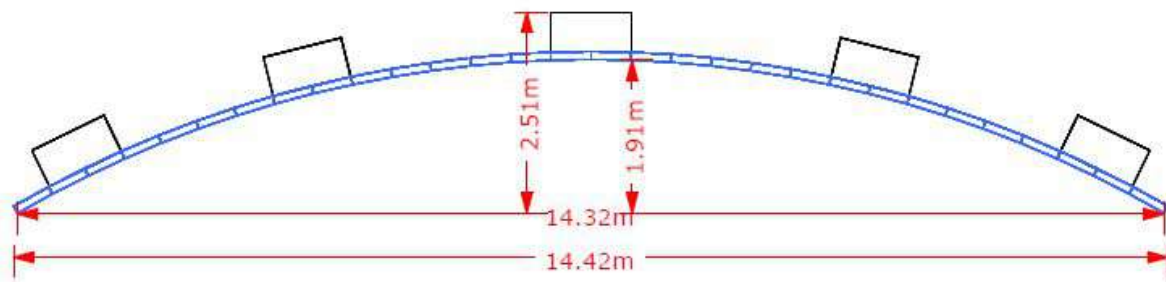
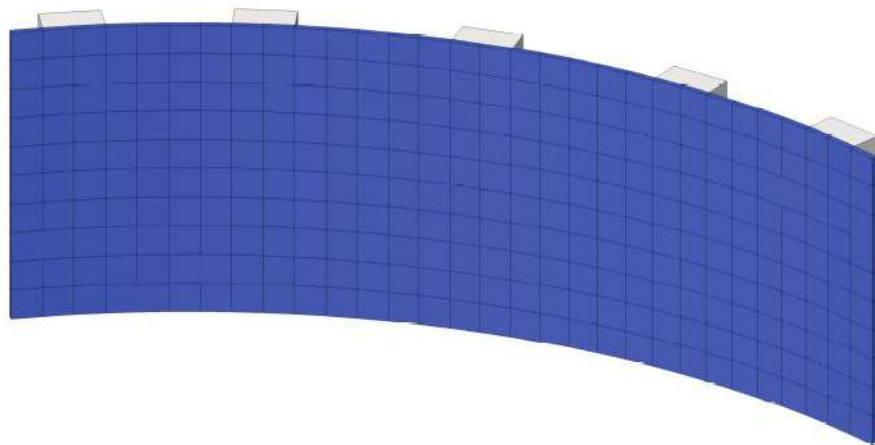
LED screen weight:
850 kg

Resolution 3,9mm:
shorter side: 576 x 768
longer side: 704 x 768
total: 2560 x 768

Power consumption:
Min.: 9kW



LED SCREEN 15x5M curved P2.6



LED SCREEN 15x5M curved P2.6

Pixel pitch:
2,6mm

Quantity of modules:
300 pcs (50x50 cm)

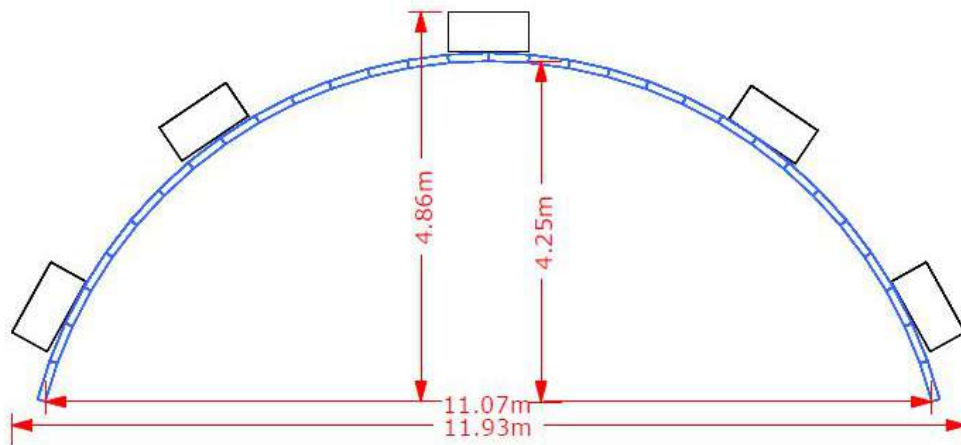
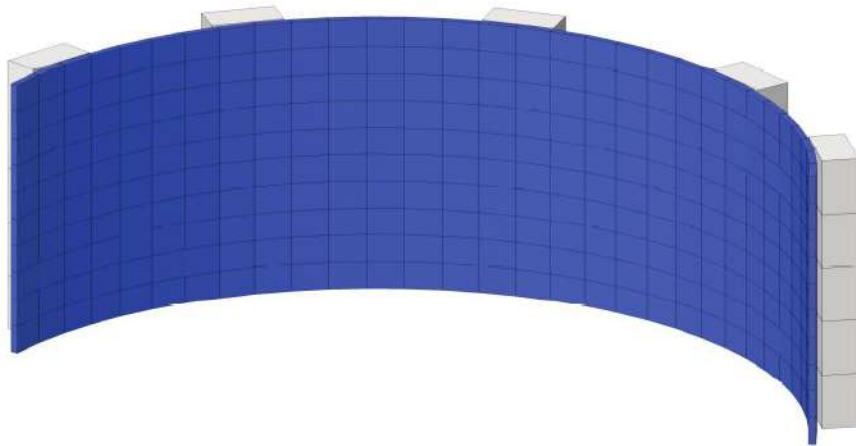
LED screen weight:
2700 kg

Bending angle between
modules:
2°

Resolution 2,6 mm:
5760 x 1920

Power consumption:
Min. 18kW

LED SCREEN 15x5M curved P3.9



LED SCREEN 15x5M curved P3.9

Pixel pitch:
3,9 mm

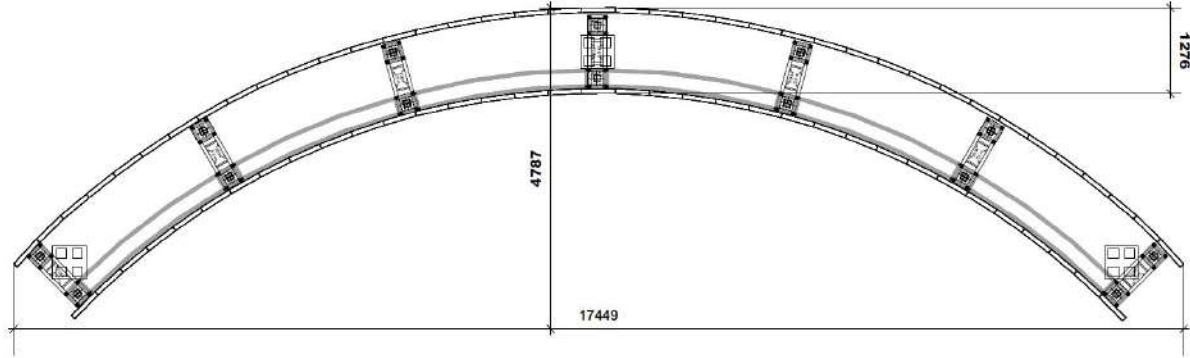
Quantity of modules:
300 pcs (50x50 cm)

LED screen weight:
1750 kg

Bending angle between
modules:
5,3°

Resolution 3,9 mm:
3840 x 1280

Power consumption:
Min. 18kW



LED SCREEN curved dbl-side

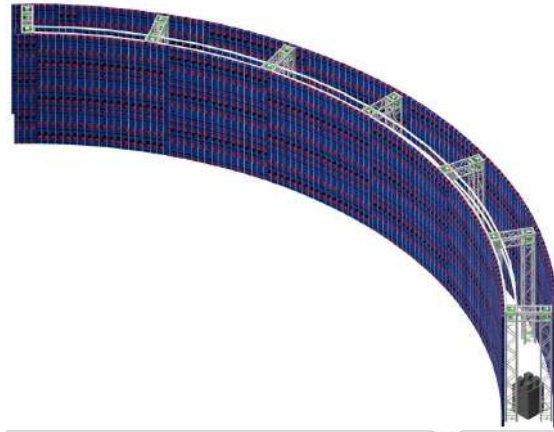
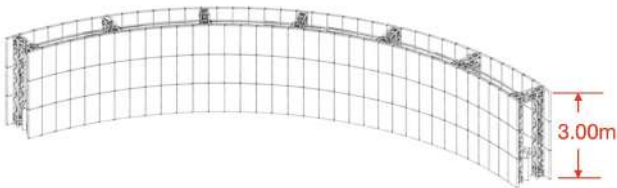
Pixel pitch:
5,9mm (in/outdoor)

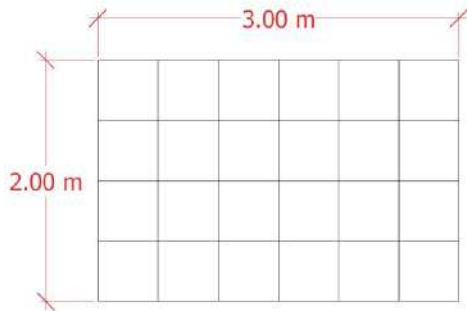
Quantity of modules
(50x100):
inner screen: 105 pcs
outer screen: 117 pcs

LED screen weight:
3360 kg

Resolution:
inner: 2940 x 504
outer: 3276 x 504

Power consumption:
Min.: 20 kW





LED SCREEN flat 2,6mm / 3,9mm / 5,9mm

LED SCREEN 3x2M

Quantity of modules (50x50cm):

24 pcs

Total weight 2,6 | 3,9 | 5,9mm:

216 kg | 137 kg | 142 kg

Resolution 2,6 | 3,9 | 5,9mm:

1152x768 | 768x512 | 504x336

Power consumption 2,6 | 3,9 |

5,9mm:

2kW | 2kW | 2kW

LED SCREEN 5x3M

Quantity of modules (50x50cm):

60 pcs

Total weight 2,6 | 3,9 | 5,9mm:

540 kg | 342 kg | 354 kg

Resolution 2,6 | 3,9 | 5,9mm:

1920x1152 | 1280x768 | 840x504

Power consumption 2,6 | 3,9 |

5,9mm:

4kW | 4kW | 5kW

LED SCREEN 8x2,5M

Quantity of modules (50x50cm):

80 pcs

Total weight 2,6 | 3,9 | 5,9mm:

720 kg | 456 kg | 472 kg

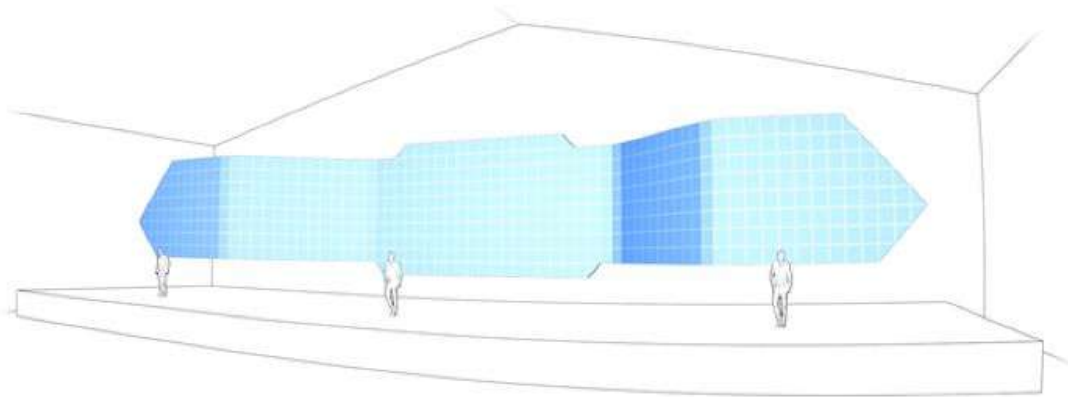
Resolution 2,6 | 3,9 | 5,9mm:

3072x960 | 2048x640 | 1344x420

Power consumption 2,6 | 3,9 |

5,9mm:

5kW | 5kW | 7kW



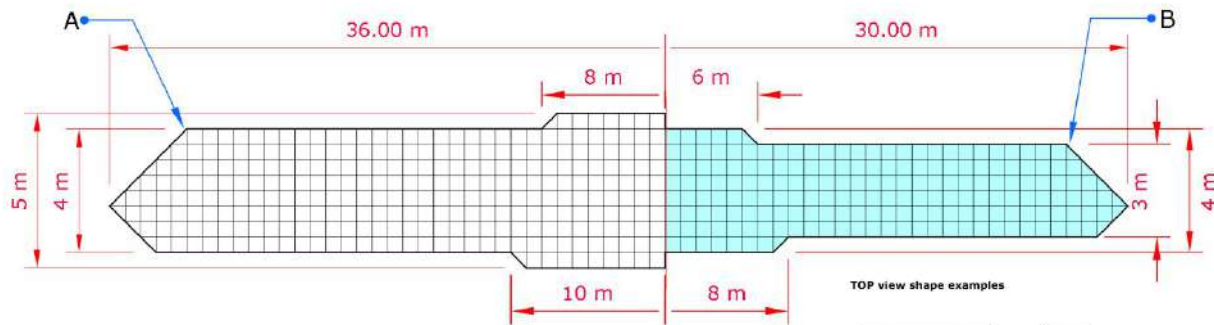
LED SCREEN

Pixel pitch:
3,9mm (indoor)

Module dimensions:
50 x 50cm | 7,9cm thick

Bending angle between
modules:
inner: up to 15°
outer: up to 15°

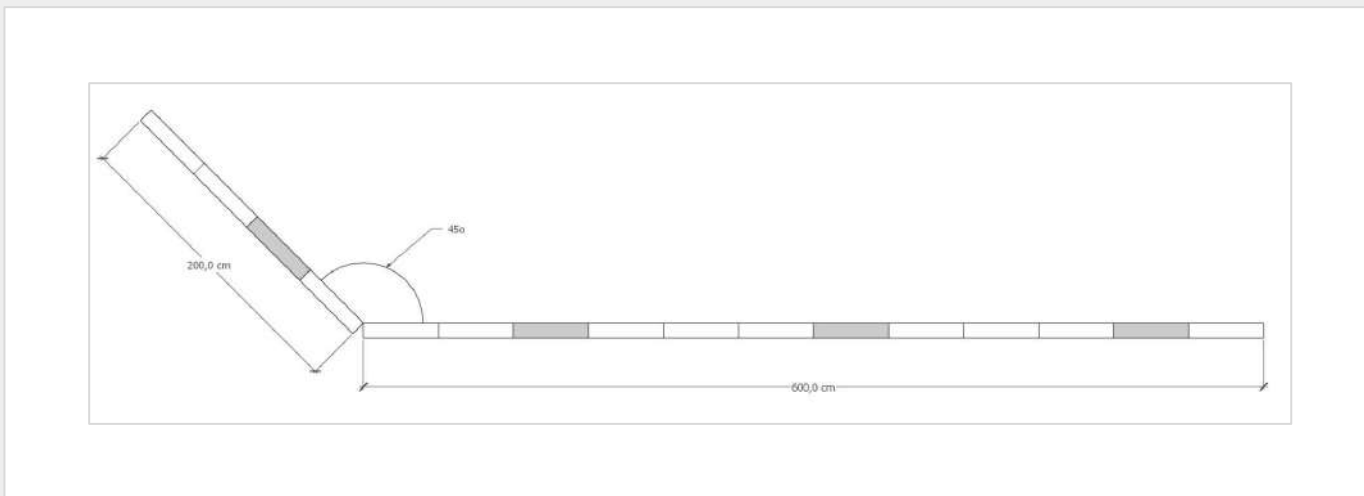
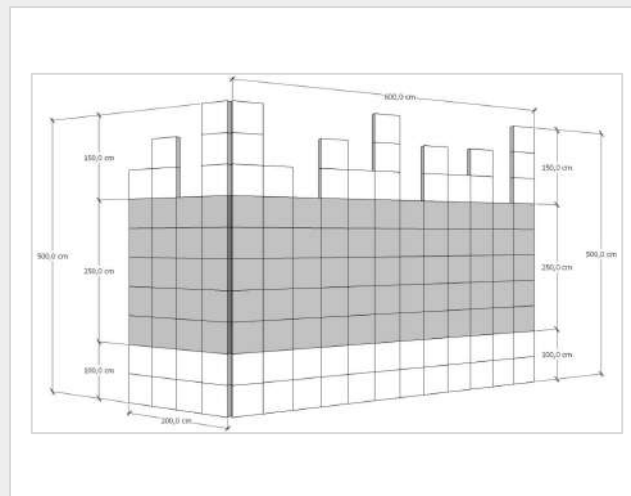
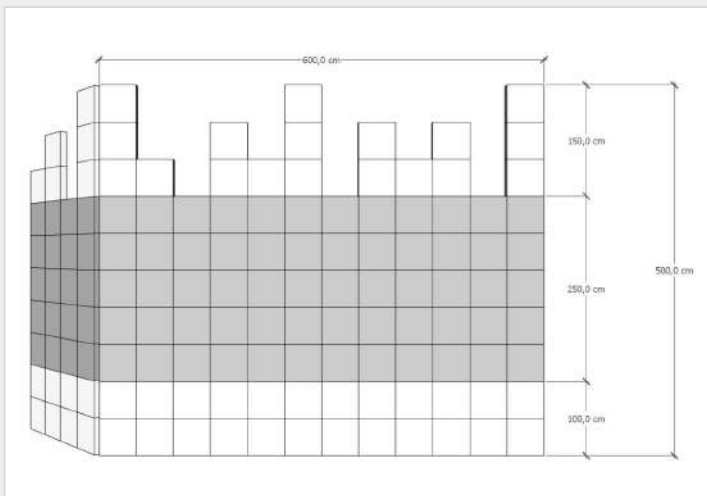
Power consumption:
Per modules: 60W
Per m2: 240W



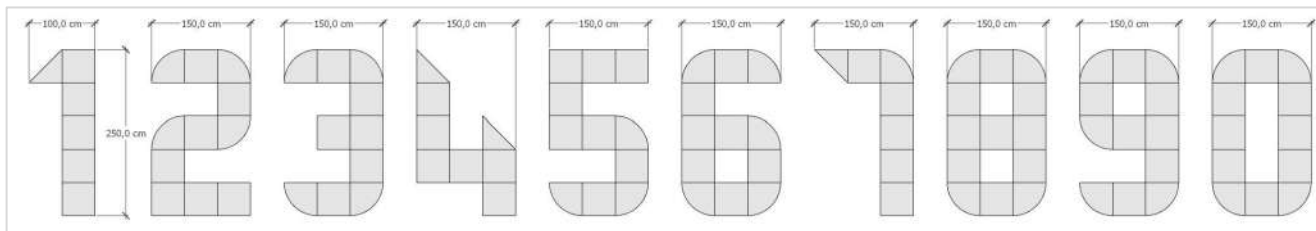
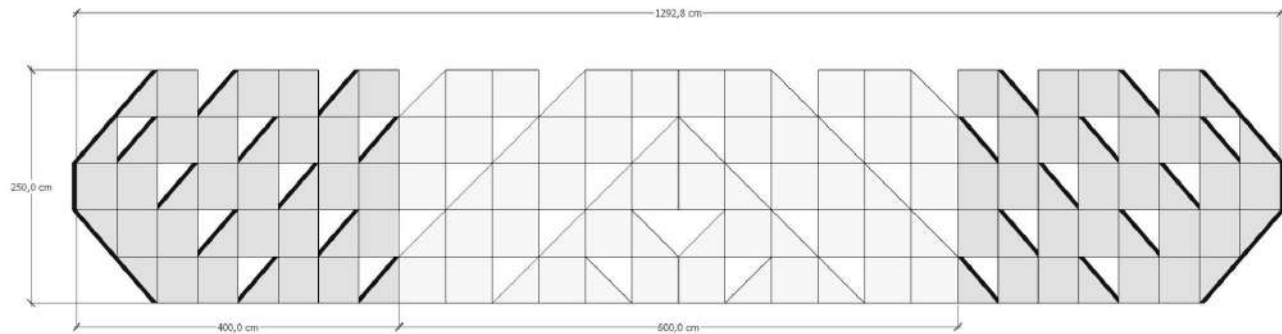
TOP view shape examples



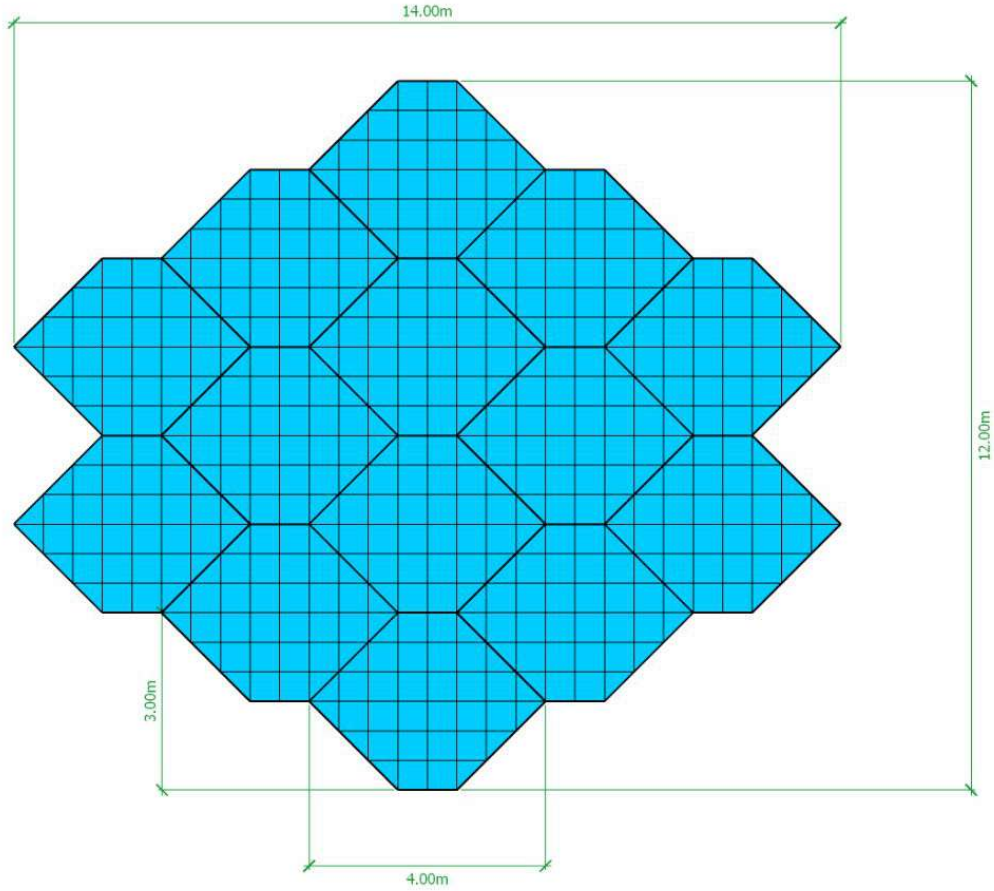
LED SCREEN inspirations



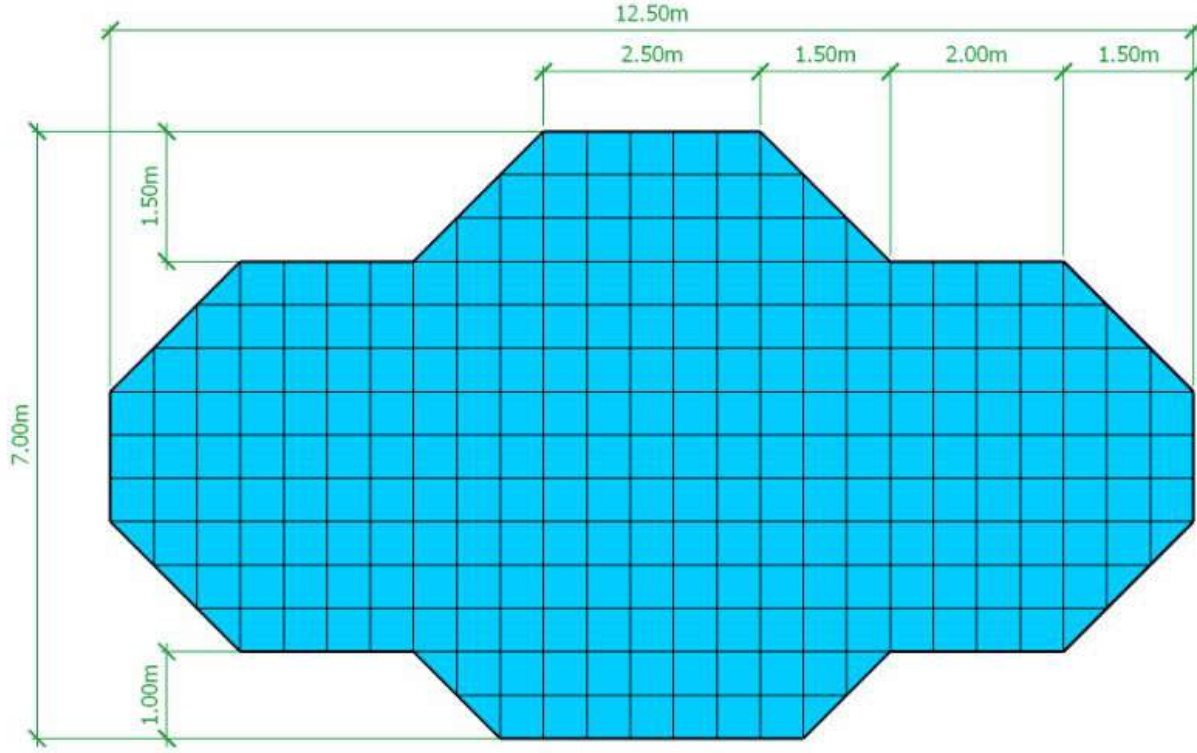
LED SCREEN inspirations



LED SCREEN inspirations



LED SCREEN inspirations



LED SCREEN inspirations





Why work with us ?

- LED SCREEN DESIGN AND BUILD

Whether your design is already established or just starting, our technical sales team can help develop a LED video display system that fits your need. We work with a variety of trade show booth design and build companies that can help incorporate a digital experience into your booth.

- INTEGRATION

Anyone can put a large LED screen in a trade show booth, but much more goes into adding LED Display technology into your trade show concept. Each client gets a dedicated project manager to help ensure your vision is seamlessly integrated both pre-show, during, and post-show providing no surprises throughout the process.

- DEPLOYMENT

Our team has extensive experience dealing with most of the world's largest convention centers and trade show services companies. On-site, we can help manage the whole setup and teardown and help maximize your screen for optimal playback to catch each potential customer.

- TECHNICAL SUPPORT

At A-RENTAL, we understand that a learning curve may be involved in transitioning to LED display technology. That's why we offer 24/7 technical support and on-site tech services to guarantee your show goes flawlessly.



Wielgolas Brzeziński 1C
05-074 Warsaw [Wielgolas Brzeziński]
Poland

+48 601 531 121 Jakub

+48 510 125 025 Julia

rental@a-rental.com

www.a-rental.com

