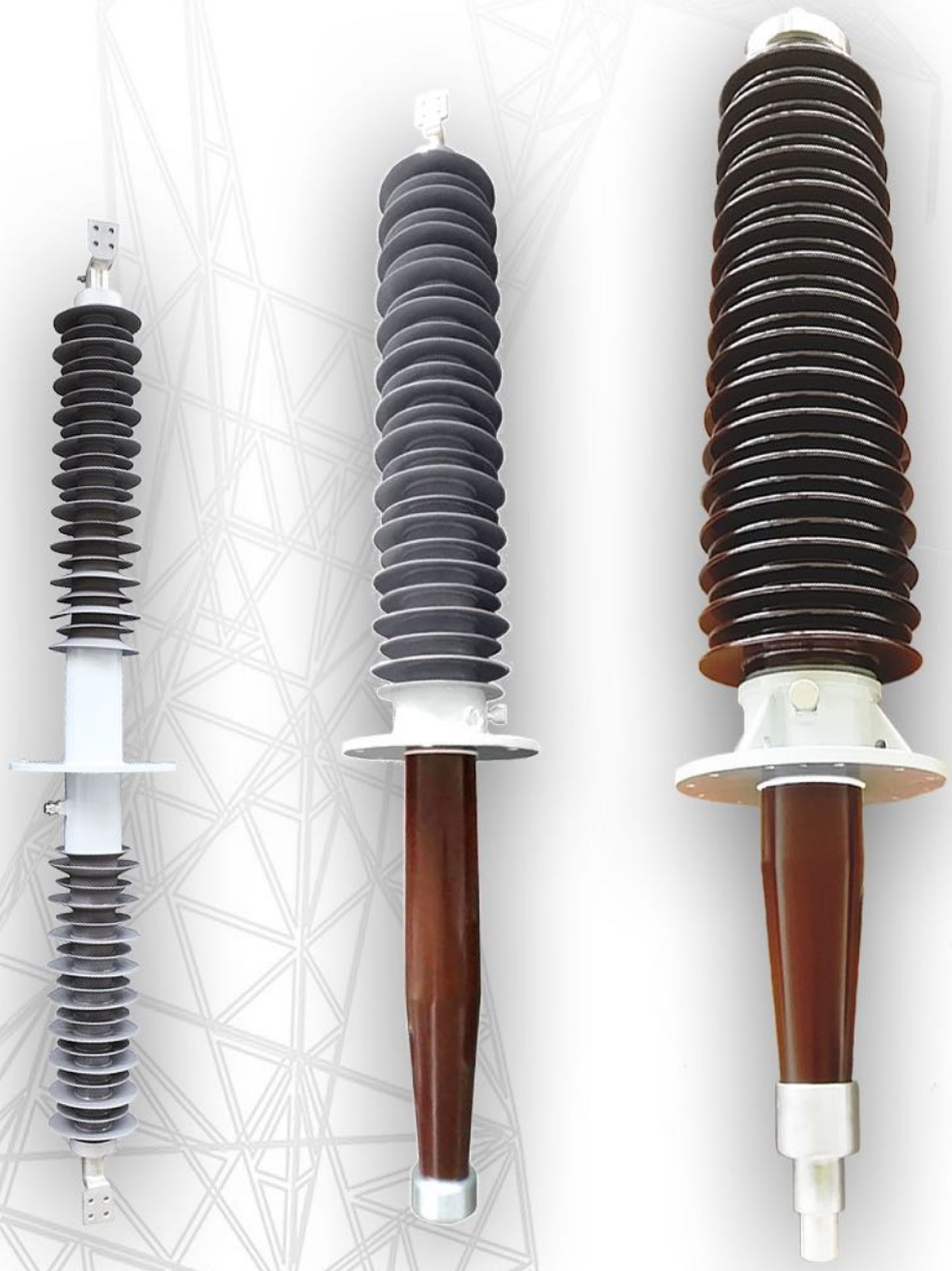


CHINSUN

Bushing

Catalog E-Book

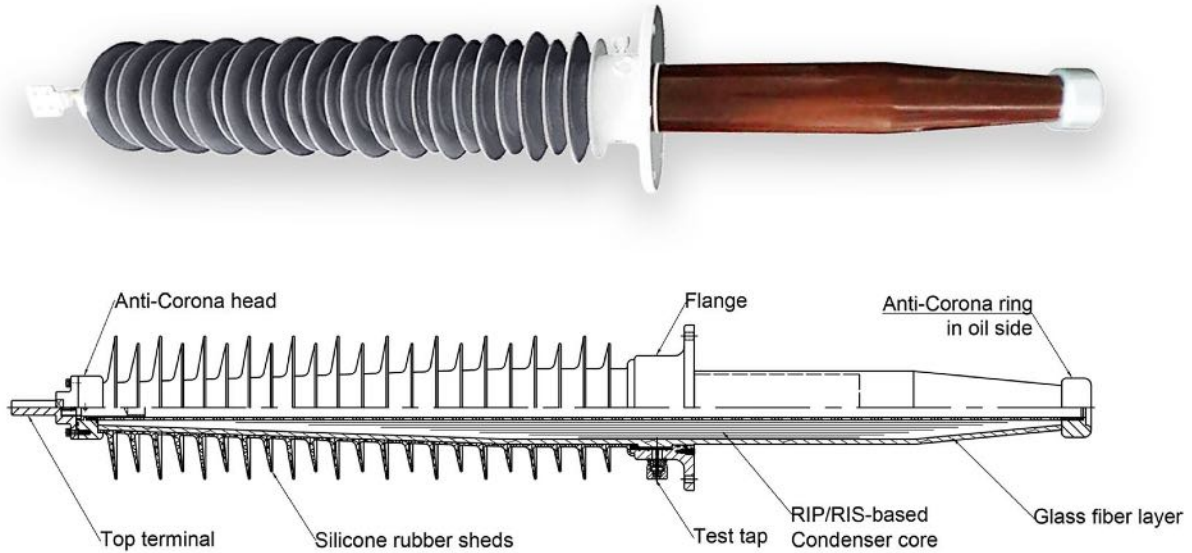


ChinSun[®]

Once into service, never out of running-ChinSun bushing

Oil to air bushing

It's for oil insulated type power transformer.



Key technical parameters-IEC

Standard	IEC 60137-2017													
Highest voltage for equipment U_m	kV	24	36	52	72.5	100	123	145	170	245	300	362	420	550
Rated frequency	Hz	50/60	50/60	50/60	50/60	50/60	50/60	50/60	50/60	50/60	50/60	50/60	50/60	50/60
Dry power frequency withstand voltage 1minute	kV	55	77	105	155	205	255	305	355	505	505	560	750	870
Lightning impulse(BIL)	kV	125	170	250	325	450	550	650	750	1050	1050	1175	1550	1800
Switching impulse(SIL)	kV	-	-	-	-	-	-	-	-	850	850	950	1175	1300
Maximum Rated Current (Draw-lead/removeable rod)	A	1250/2000	1250/2000	1250/2000	1250/2000	1250/2000	1250/2000	1250/2000	1250/2000	1250/2000	1250/2000	1250/2000	1250/2000	1250/2000
Maximum Rated Current (Solid conductor)	A	4000	4000	4000	3150	3150	3150	3150	3150	3150	3150	3150	3150	3150
Temperature range	°C	Down to -60°C up to +55°C available on request												

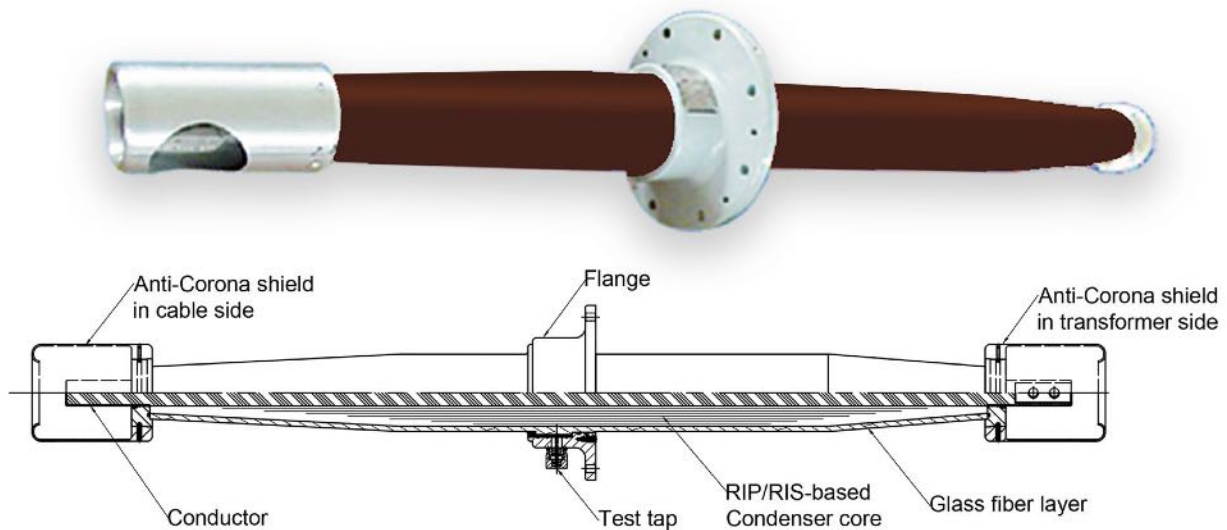
Key technical parameters-IEEE

Standard	IEEE C57.19.01-2017										
Highest voltage for equipment U_m	kV	25	34.5	46	69	115	138	161	230	345	500
Rated frequency	Hz	50/60	50/60	50/60	50/60	50/60	50/60	50/60	50/60	50/60	50/60
Dry power frequency withstand voltage 1minute	kV	60	80	105	160	260	310	365	425	520	750
Lightning impulse(BIL)	kV	150	200	250	350	550	650	750	900	1175	1675
Switching impulse(SIL)	kV	-	-	-	-	-	-	-	-	825	1175
Maximum Rated Current (Draw-lead/removeable rod)	A	800/2000	800/2000	800/2000	800/2000	800/2000	800/2000	800/2000	800/2000	800/2000	800/2000
Maximum Rated Current (Solid conductor)	A	5000	5000	4000	4000	3000	3000	3000	3000	3000	3000
Temperature range	°C	Down to -60°C up to +55°C available on request									

※ Both porcelain and composite outer insulating sheds are available for all bushings.

Oil to oil bushing

It's for the connection between the power transformer and cable-junction boxes and other oil-filled devices. It can be installed at any angle.



Key technical parameters-IEC

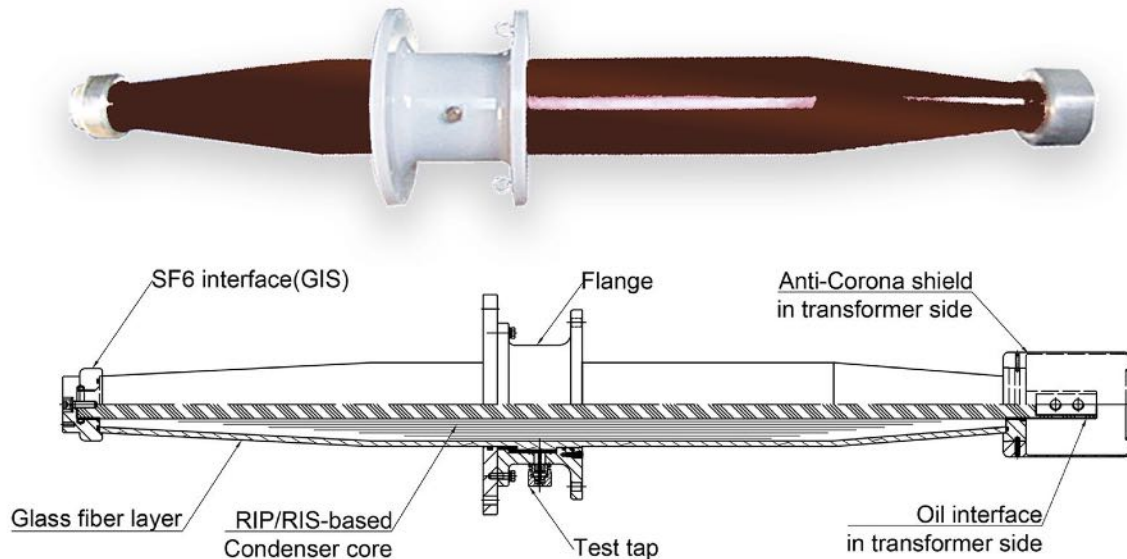
Standard	IEC 60137-2017										
Highest voltage for equipment U_m	kV	72.5	100	123	145	170	245	300	362	420	550
Rated frequency	Hz	50/60	50/60	50/60	50/60	50/60	50/60	50/60	50/60	50/60	50/60
Dry power frequency withstand voltage 1minute	kV	155	205	255	305	355	505	505	560	695	750
Lightning impulse(BIL)	kV	325	450	550	650	750	1050	1050	1175	1425	1675
Switching impulse(SIL)	kV	-	-	-	-	-	850	850	950	1175	1300
Maximum Rated Current	A	2500	2500	2500	2500	2500	2500	2500	2500	2500	2500
Temperature range	°C	Down to -60°C up to +55°C available on request									

Key technical parameters-IEEE

Standard	IEEE C57.19.01-2017							
Highest voltage for equipment U_m	kV	69	115	138	161	230	345	500
Rated frequency	Hz	50/60	50/60	50/60	50/60	50/60	50/60	50/60
Dry power frequency withstand voltage 1minute	kV	160	260	310	365	425	520	750
Lightning impulse(BIL)	kV	350	550	650	750	900	1175	1675
Switching impulse(SIL)	kV	-	-	-	-	-	825	1175
Maximum Rated Current	A	2500	2500	2500	2500	2500	2500	2500
Temperature range	°C	Down to -60°C up to +55°C available on request						

Oil to SF6 (gas) bushing

It's for the direct connection of power transformer to gas-insulated switchgear (GIS) and can be mounted at any angle.



Key technical parameters-IEC

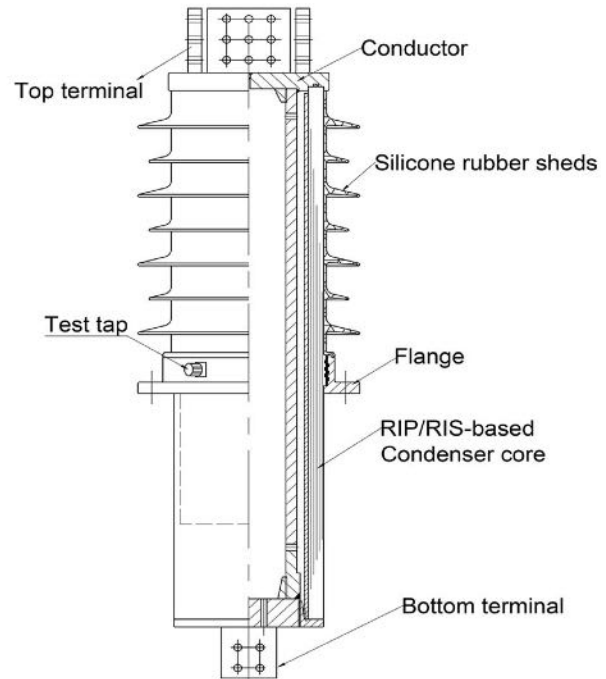
Standard	IEC 60137-2017										
Highest voltage for equipment U_m	kV	72.5	100	123	145	170	245	300	362	420	550
Rated frequency	Hz	50/60	50/60	50/60	50/60	50/60	50/60	50/60	50/60	50/60	50/60
Dry power frequency withstand voltage 1minute	kV	140	185	230	275	325	460	460	510	750	790
Lightning impulse(BIL)	kV	325	450	550	650	750	1050	1050	1175	1550	1800
Switching impulse(SIL)	kV	-	-	-	-	-	850	850	950	1175	1300
Maximum Rated Current	A	2500	2500	2500	2500	2500	2500	2500	2500	2500	2500
Temperature range	°C	Down to -60°C up to +55°C available on request									

Key technical parameters-IEEE

Standard	IEEE C57.19.01-2017							
Highest voltage for equipment U_m	kV	69	115	138	161	230	345	500
Rated frequency	Hz	50/60	50/60	50/60	50/60	50/60	50/60	50/60
Dry power frequency withstand voltage 1minute	kV	160	185	310	365	425	520	750
Lightning impulse(BIL)	kV	350	550	650	750	900	1175	1675
Switching impulse(SIL)	kV	-	-	-	-	-	825	1175
Maximum Rated Current	A	2500	2500	2500	2500	2500	2500	2500
Temperature range	°C	Down to -60°C up to +55°C available on request						

High-current bushing

From 5000A to 35,000A. Normally for connecting the oil-filled power transformer to a generator bus.



Key technical parameters-IEC

Standard	IEC 60137-2017												
Highest voltage for equipment U_m	kV	24	24	24	24	36	36	36	36	52	52	52	52
Rated frequency	Hz	50/60	50/60	50/60	50/60	50/60	50/60	50/60	50/60	50/60	50/60	50/61	50/62
Dry power frequency withstand voltage 1minute	kV	55	55	55	55	77	77	77	77	105	105	105	105
Lightning impulse(BIL)	kV	125	125	125	125	170	170	170	170	250	250	250	250
Rated Current	A	10000	16000	25000	31500	10000	16000	25000	31500	10000	16000	25000	31500
Temperature range	°C	Down to -60°C up to +55°C available on request											

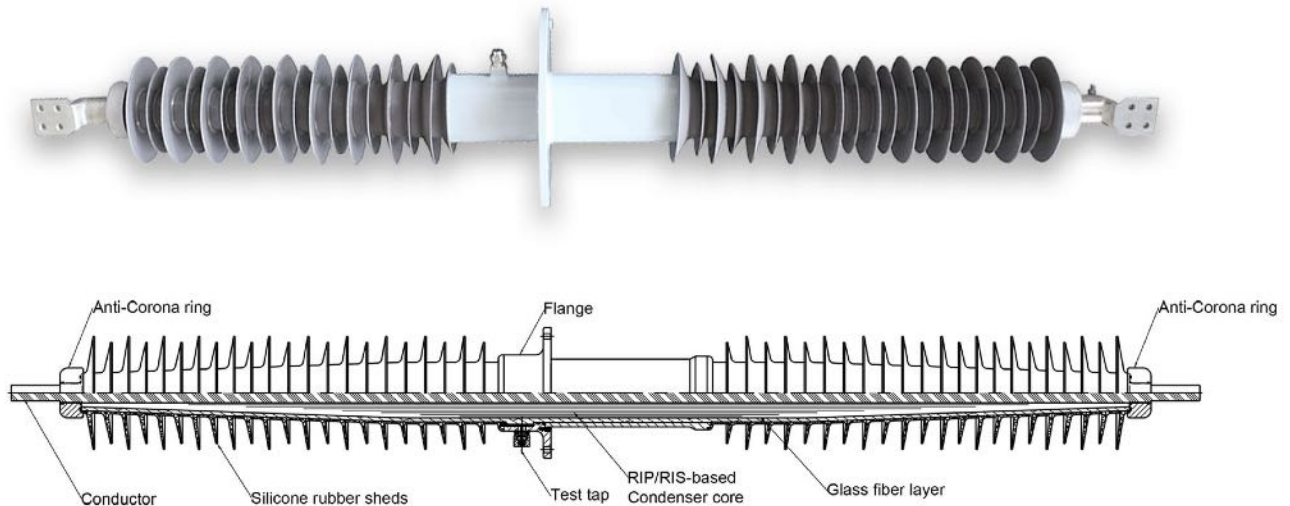
Key technical parameters-IEEE

Standard	IEEE C57.19.01-2017												
Highest voltage for equipment U_m	kV	25	25	25	25	34.5	34.5	34.5	34.5	46	46	46	46
Rated frequency	Hz	50/60	50/60	50/60	50/60	50/60	50/60	50/60	50/60	50/60	50/60	50/61	50/62
Dry power frequency withstand voltage 1minute	kV	60	60	60	60	80	80	80	80	105	105	105	105
Lightning impulse(BIL)	kV	150	150	150	150	200	200	200	200	250	250	250	250
Rated Current	A	10000	16000	25000	31500	10000	16000	25000	31500	10000	16000	25000	31500
Temperature range	°C	Down to -60°C up to +55°C available on request											

※ Both porcelain and composite outer insulating sheds are available for all bushings.

Wall bushing

It's for through the wall and other types through such as the roof.



Key technical parameters-IEC

Standard	IEC 60137-2017											
Highest voltage for equipment U_m	kV	24	36	52	72.5	100	123	145	170	245	300	362
Rated frequency	Hz	50/60	50/60	50/60	50/60	50/60	50/60	50/60	50/60	50/60	50/60	50/60
Dry power frequency withstand voltage 1minute	kV	50	70	95	140	185	230	275	325	460	460	510
Lightning impulse(BIL)	kV	125	170	250	325	450	550	650	750	1050	1050	1175
Switching impulse(SIL)	kV	-	-	-	-	-	-	-	-	850	850	950
Maximum Rated Current	A	5000	5000	5000	4000	4000	4000	4000	3150	3150	3150	3150
Temperature range	°C	Down to -60°C up to +55°C available on request										

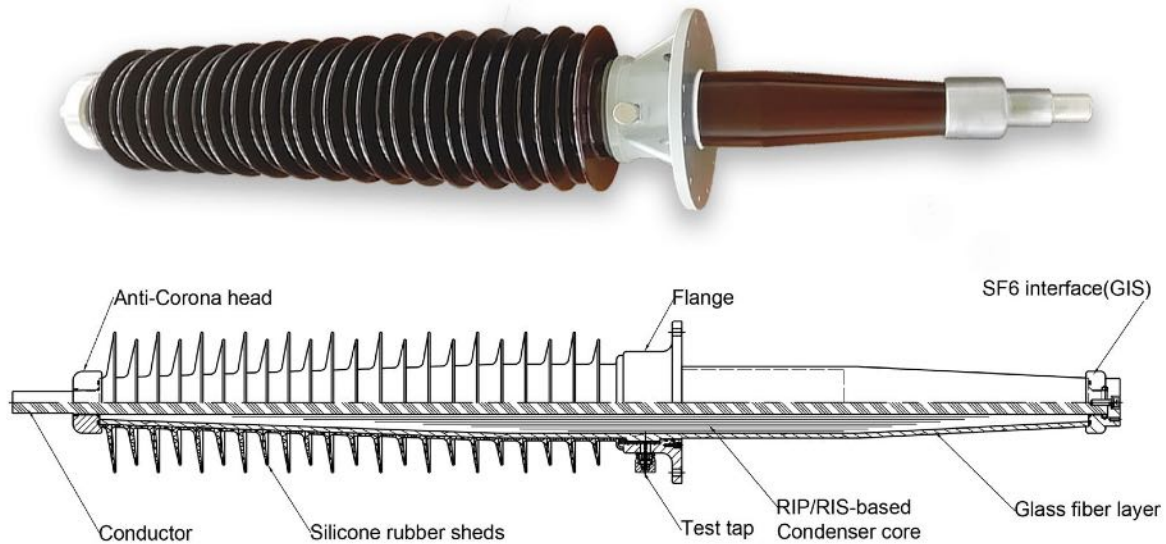
Key technical parameters-IEEE

Standard	IEEE C57.19.01-2017										
Highest voltage for equipment U_m	kV	25	34.5	46	69	115	138	161	230	345	
Rated frequency	Hz	50/60	50/60	50/60	50/60	50/60	50/60	50/60	50/60	50/60	
Dry power frequency withstand voltage 1minute	kV	60	80	105	160	260	310	365	425	520	
Lightning impulse(BIL)	kV	150	200	250	350	550	650	750	900	1175	
Switching impulse(SIL)	kV	-	-	-	-	-	-	-	-	825	
Maximum Rated Current	A	5000	5000	5000	4000	4000	4000	3150	3150	3150	
Temperature range	°C	Down to -60°C up to +55°C available on request									

※ Both porcelain and composite outer insulating sheds are available for all bushings.

GIS bushing

It's for gas-insulated and air-insulated switchgear.



Key technical parameters-IEC

Standard	IEC 60137-2017										
Highest voltage for equipment U_m	kV	72.5	100	123	145	170	245	300	362	420	550
Rated frequency	Hz	50/60	50/60	50/60	50/60	50/60	50/60	50/60	50/60	50/60	50/60
Dry power frequency withstand voltage 1minute	kV	140	185	230	275	325	460	460	510	750	790
Lightning impulse(BIL)	kV	325	450	550	650	750	1050	1050	1175	1550	1800
Switching impulse(SIL)	kV	-	-	-	-	-	850	850	950	1175	1300
Maximum Rated Current	A	3150	3150	3150	3150	3150	3150	3150	3150	3150	3150
Temperature range	°C	Down to -60°C up to +55°C available on request									

Key technical parameters-IEEE

Standard	IEEE C57.19.01-2017							
Highest voltage for equipment U_m	kV	69	115	138	161	230	345	500
Rated frequency	Hz	50/60	50/60	50/60	50/60	50/60	50/60	50/60
Dry power frequency withstand voltage 1minute	kV	160	185	310	365	425	520	750
Lightning impulse(BIL)	kV	350	550	650	750	900	1175	1675
Switching impulse(SIL)	kV	-	-	-	-	-	825	1175
Maximum Rated Current	A	3150	3150	3150	3150	3150	3150	3150
Temperature range	°C	Down to -60°C up to +55°C available on request						

※ Both porcelain and composite outer insulating sheds are available for all bushings.



EUROPE Sale & Service

FAAS[®] Trading Company
str. Leczycka 1, PL85737 Bydgoszcz | POLAND

Tel. +48 52 561-0636

Fax. +48 52 561-0637

Email: Poland@chinsun.eu

WEB: www.chinsun.eu